

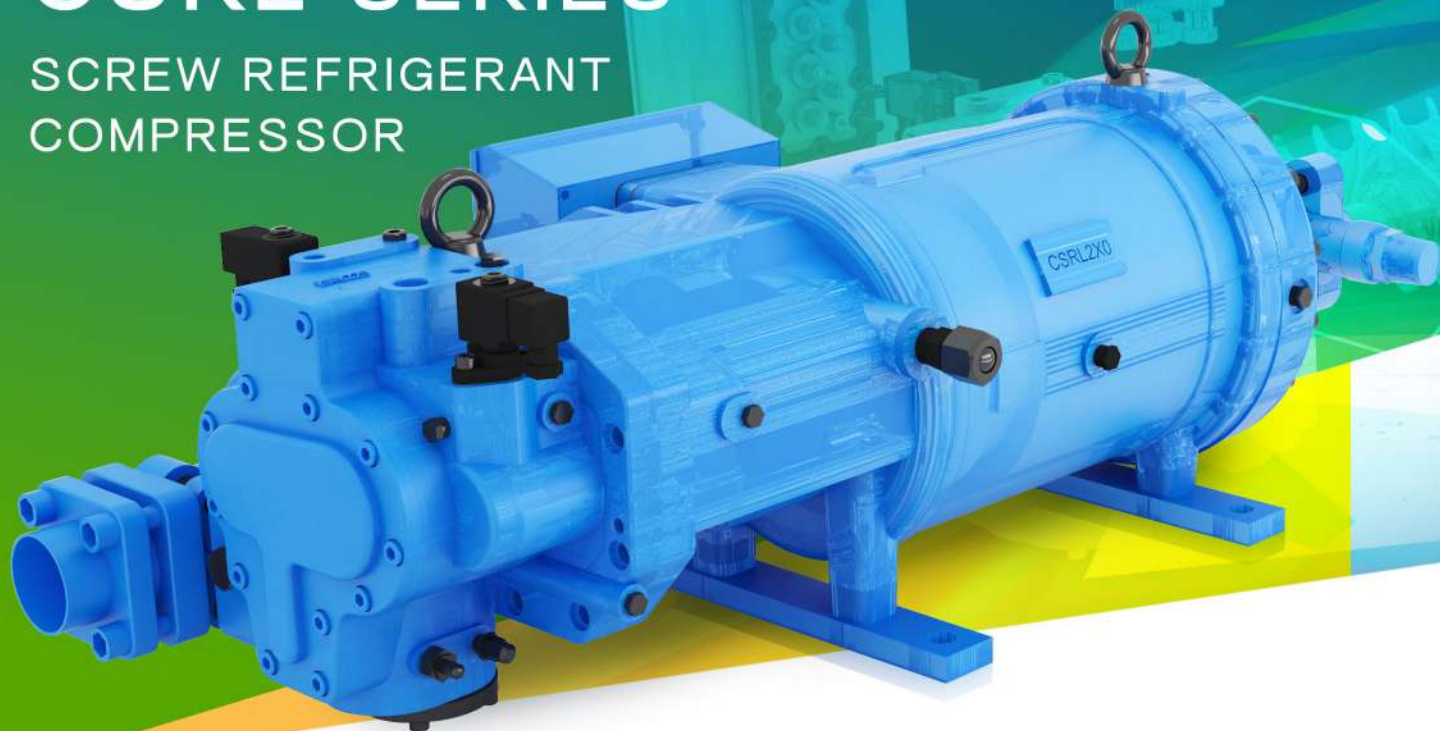


CSRL SERIES

SCREW REFRIGERANT
COMPRESSOR

CSRL SERIES

SCREW REFRIGERANT COMPRESSOR



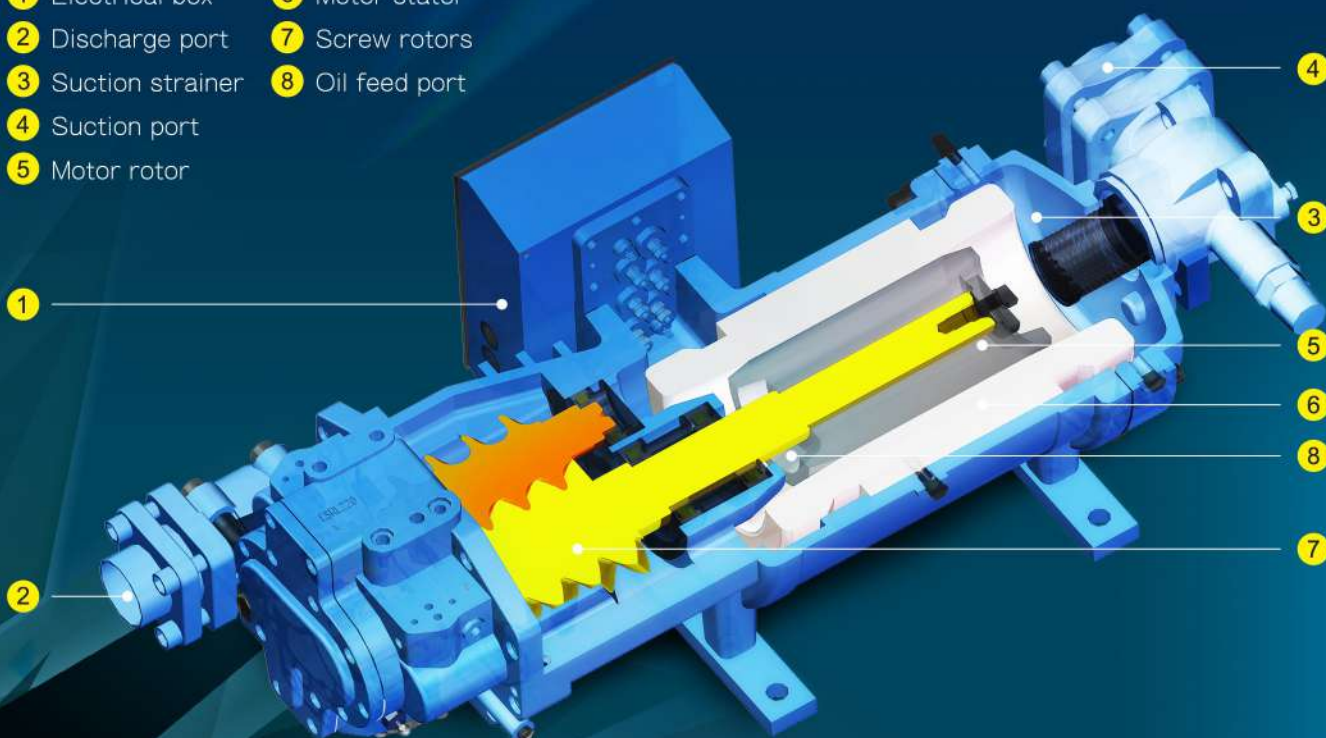
High Efficiency Middle and Low Temperature Screw Compressor

CSRL-MP/DP series compressor has been designed for the application of middle and low temperature refrigeration industries by taking Fusheng newly-developed screw rotor profile as a platform.

Inheriting experiences of BSR superior quality, CSRL series is able to fulfill high efficiency, smooth appearance and reliable quality to meet the requirement of low temperature application.

Mechanical structure

- 1 Electrical box
- 2 Discharge port
- 3 Suction strainer
- 4 Suction port
- 5 Motor rotor
- 6 Motor stator
- 7 Screw rotors
- 8 Oil feed port





Features

- Complying with EU product regulation to guarantee operation safety.
- Special oil lubrication system to reduce operation noise.
- Feasible for multiple units in parallel operation to meet large capacity need.
- Optimized economizer connection port to increase system performance.
- Wide operation envelope to satisfy variable temperature demand (Te 7.5℃~-45℃).
- Workable with an inverter to precisely reflect the system loading change (under frequency 20Hz~60Hz, over frequency 20Hz~80Hz).

CSRL Specification

Model			85	100	120	140	170	190	220	250	320	360	400	480
Suction sat. temperature	DP	℃	-45℃~-15℃ (R404A/R507)											
	MP	℃	-30℃~7.5℃ (R404A/R507)											
Power frequency		Hz	50/60											
Compressor	Voltage	RPM	2950/3550											
	50Hz displacement	m ³ /hr	85	100	120	140	170	190	220	250	320	360	400	480
	60Hz displacement	m ³ /hr	100	120	140	170	200	228	264	300	384	432	480	576
Motor horse power (HP)	Low temperature model	DP(50Hz)	17	21	25	33	42	50	58	63	80	90	104	120
		DP(60Hz)	20	25	30	40	50	60	70	75	95	110	125	145
	Middle temperature model	MP(50Hz)	25	29	33	42	50	58	67	75	92	104	117	133
		MP(60Hz)	30	35	40	50	60	70	80	90	110	125	140	160
Refrigerant		-	R404A · R507											
MOTOR	Voltage	V	380~415/220 · 380 · 440 · 460											
	Start up	-	Y- Δ start up or Variable frequency start up · direct-on-line start up											
Dimension of suction port		Inch(mm)	2-5/8" (67)				3-1/8" (79)				4" (101.6)			
Dimension of discharge port		Inch(mm)	1-5/8" (42)				2-5/8" (67)				3-1/8" (79)			
Capacity modulation mode		%	Step control (50%-75%-100%)								Step control (25%-50%-75%-100%) or linear control			
Inverter frequency range		Hz	20~60Hz or 20~80Hz											
Lubrication mode			Pressure differential oil feeding											

CSRL SERIES
SCREW REFRIGERANT COMPRESSOR



Front view

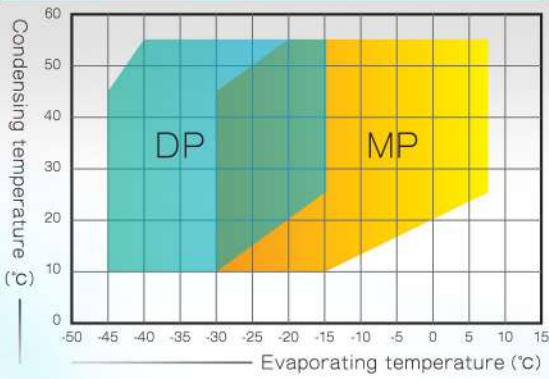


Rear view

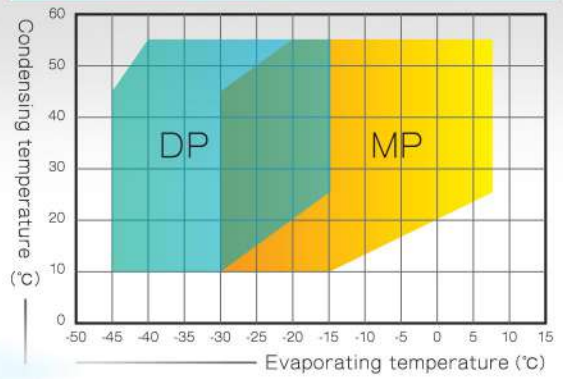
Operation envelope

DP : Low temperature model
MP : Middle temperature model

R404A Application limits



R507 Application limits



Application

CSRL series compressor can meet various middle and low temperature industry chain needs and achieve stable and reliable capacity output.



Ice making



Offshore fishery freezing



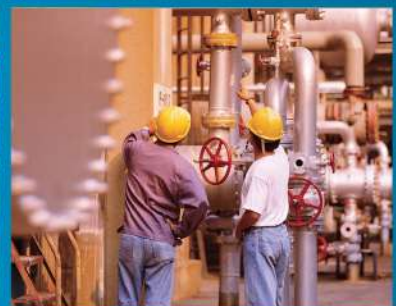
Food instant refrigeration processing



Sea food instant refrigeration processing



Butchery industry processing



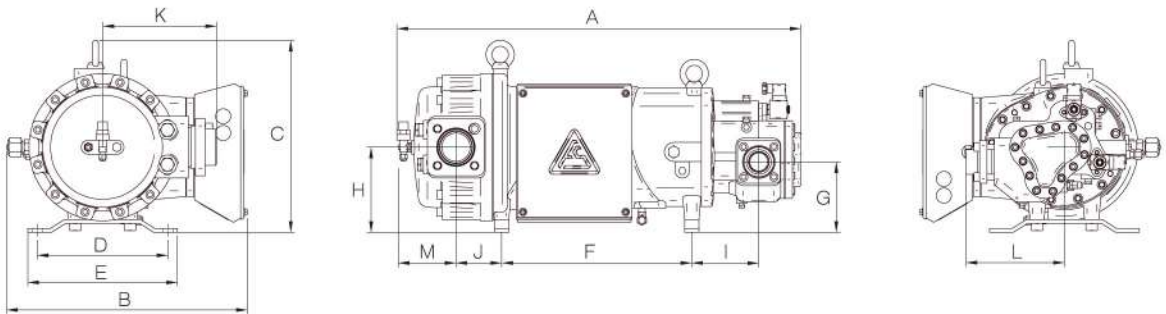
Chemical industry processing

High efficiency middle and low temperature screw compressor

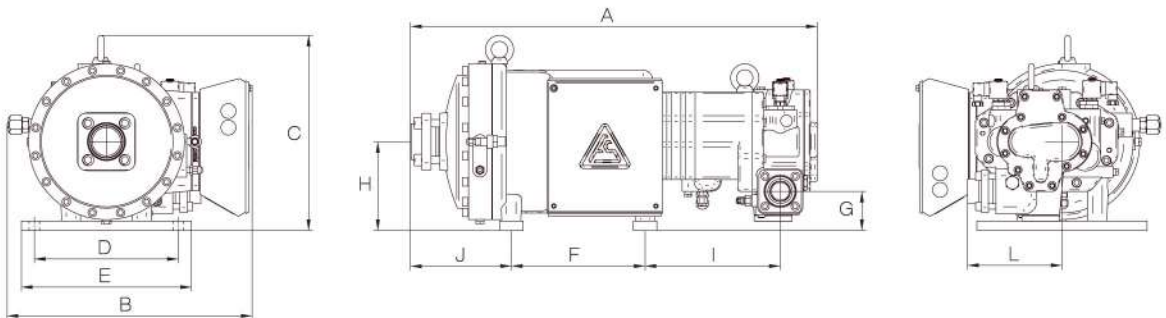


Outline dimension

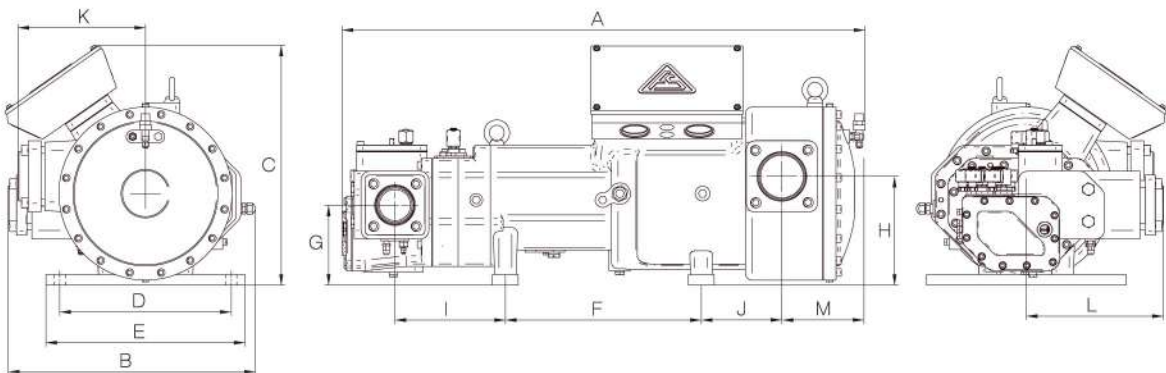
CSRL85/100/120



CSRL140/170/190/220/250



CSRL320/360/400/480



Unit : mm

Model	A	B	C	D	E	F	G	H	I	J	K	L	M
CSRL85/100/120	850	505	404	275	315	400	148	179	141	96	240	207	124
CSRL140/170	861	520	413	305	360	283	83	188	286	214	-	200	-
CSRL190/220/250	965	545	413	305	360	360	102	190	318	204	-	241	-
CSRL320/360/400/480	1220	575	560	400	465	457	187	254	258	188	298	320	194



SCREW REFRIGERANT COMPRESSOR
CSRL SERIES

FUSHENG INDUSTRIAL CO., LTD

HEAD OFFICE

No. 172, Sec.2, Nanjing E. Rd., Zhongshan Dist.,
Taipei City 104, Taiwan (R.O.C)
TEL : (+886) 2-2507-2211 FAX : (+886) 2-2504-7870

FACTORY (SALES OFFICE)

No. 60, Sec. 2, Guangfu Rd., Sanchong Dist., Taipei City 241,
Taiwan (R.O.C)
TEL : (+886) 2-2995-1411 FAX : (+886) 2-2995-7925
Mail : machinery.sc@fusheng.com
Website : <http://www.fusheng.com>



Distributor/Sales Representative

CSRL-10805-112A000-E1