



GW SERIES

3.7-15kW / 5-20HP



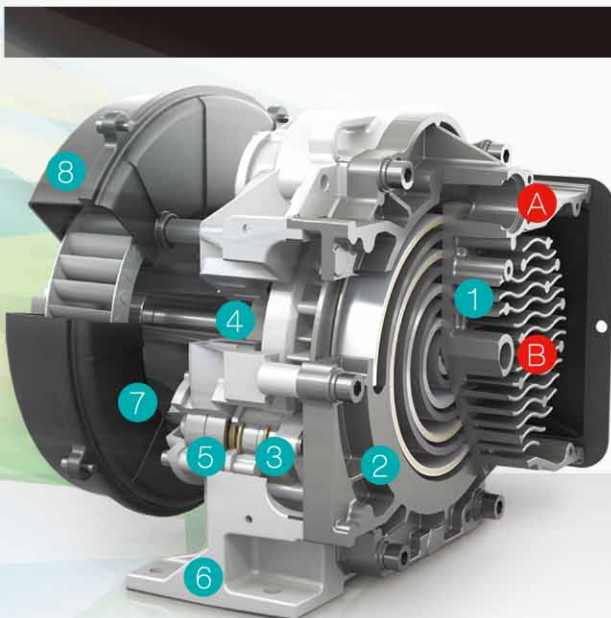
GW Series Oil-Free Scroll Air Compressor

Most parts of the air end are made by Aluminum alloy to reduce weight and space, and supply high quality compressed air.



100% OIL-FREE
COMPRESSED AIR

Certified in compliance
with ISO 8573-1 , 2010

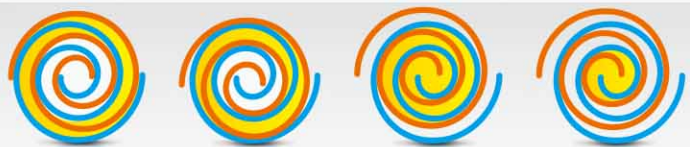


Structure description

- | | |
|-------------------|-----------------------|
| 1 Fixed scroll | 5 Anti-rotation shaft |
| 2 Orbiting scroll | 6 Housing |
| 3 Crank carrier | 7 Bearing set |
| 4 Driving shaft | 8 Cooling fan |
| A Suction | B Delivery |

Basic principal

- | | |
|-----------------|---------------------|
| Orbiting scroll | Compression chamber |
| Fixed scroll | |

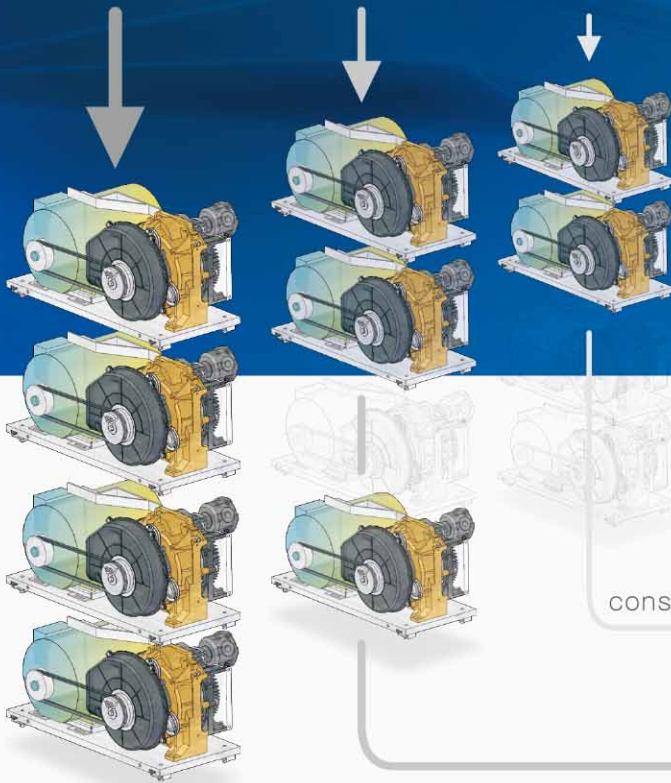


Automatic adjustment

- ▶ Automatically starts and stops the scroll elements to exactly match the demands of your compressed air system.
- ▶ Multi-able-control, the airend could be the host or the prepared one to reduce the risk of production line stopping.

For Most Selection / Foremost Solutions.

GW series offers various configurations to satisfy customers' demand.



Operation with 2 compressors when consumption is low to avoid energy wasting.

Operation with 3 compressors to match the demand of air system.

Full Operation with 4 compressors when consumption is high.

High reliability

The airend is lubricated by special high temperature grease and sealed by special made seals to ensure reliable operation. Less parts, no complex valve, low failure rate.

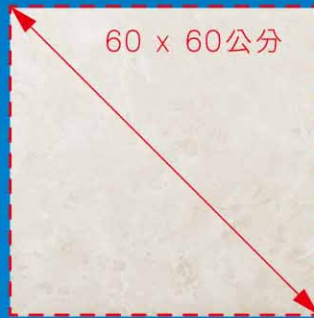
- 1 Airend
- 2 Motor
- 3 Cooler
- 4 Controller
- 5 Belt
- 6 Cooling fan



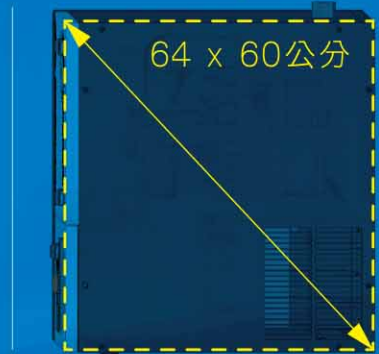
Space demand is small

Compact design means a small footprint, convenient for working in the field.

Standard flooring tiles



The footprint of scroll compressor



Low noise level Low vibration

Fixed and orbit scrolls are not contacted with each other when compressor is running. The compressor is in low vibration and could be used indoors.



GW04



GW08

40dB	50dB	60dB	70dB	80dB
Library / Residential area	Quiet office	By car / Normal conversation	Discussing at conference room	On sidewalk by passing train

Technical specification



Model	Working pressure	Delivery	Power		Dimension	Weight	Compressed air outlet
	bar(g)		m ³ /min	kW			
GW04	7 / 8 / 10	0.44 / 0.425 / 0.345	3.7	5	640 x 604 x 895	170	1/2"
GW04-P*	7 / 8 / 10	0.44 / 0.425 / 0.345	3.7	5	1550 x 604 x 1510	325	1/2"
GW08	7 / 8 / 10	0.88 / 0.85 / 0.69	3.7x2	5x2	1020 x 750 x 1645	440	3/4"
GW11	7 / 8 / 10	1.32 / 1.275 / 1.035	3.7x3	5x3	1600 x 750 x 1830	650	1"
GW15	7 / 8 / 10	1.76 / 1.7 / 1.38	3.7x4	5x4	1600 x 750 x 1830	720	1"

*P : with tank

*Delivery(FAD) measured with ISO1217/Annex C

Intelligent Control System

GW08~15 color touch controller



User-Friendly Design

- Interface control display.
- Real-time pressure, temperature, date, and Air Compressor status.
- Warning and fault indicator.
- Big screen color touch HMI.

Precognition Maintenance

- Consumables usage timer and return to zero function.

Energy-saving interactive, Preservation design

- Auto start/stop.

GW04 controller



User-Friendly Design

- Saving space by using integrated controller
- Illustrated screen easy to understand
- Simple handling
- Warning and fault indicator

Precognition Maintenance

- Consumables usage timer and return to zero function.

Energy-saving interactive, Preservation design

- Auto start/stop.

Maintenance

Maintenance is only to be done according to 10,000 hours or 4 years by changing air filter, belt and tipseals.

Inlet Air filter



Belt



Tipseal





GW SERIES

3.7-15kW / 5-20HP

FUSHENG INDUSTRIAL CO., LTD

HEAD OFFICE

No.172, Sec. 2, Nanjing E. Rd., Zhongshan Dist.,
Taipei City 104, Taiwan (R.O.C.)
TEL : +886-2-2507-2211 FAX : +886-2-2504-7870

FACTORY(SALES OFFICE)

No.60, Sec. 2, Guangfu Rd., Sanchong Dist., New Taipei City 241,
Taiwan (R.O.C.)
TEL : +886-2-2995-1411 FAX : +886-2-2995-7925

FUSHENG (VIETNAM)

No. 6, 3A Rd, Bien Hoa Industrial Zone II,
Bien Hoa, Dong Nai Province, Vietnam.
TEL:+84-251-383-4566 FAX:+84-251-383-4599
E-Mail : sales@fusheng.com.vn

FUSHENG (THAILAND)

No. 140/1-2 Moo.12, Kingkaew Rd., T.Rachathewa,
A.Bangplee, Samutprakarn 10540, Thailand
TEL:+66-2-312-4547 FAX:+66-2-312-4530
E-Mail : sales.fsth@fusheng.com

Web site : www.fusheng.com
E-Mail : machinery.sc@fusheng.com

FUSHENG (MALAYSIA)

No.08 Jalan Para U8/103, Metropolitan
Business Park, Seksyen U8, 40150
Shah Alam, Selangor, Malaysia
TEL :+60-3-7832-3952 FAX :+60-3-7832-1954
E-Mail : fsmy_sales@fusheng.com

FUSHENG (INDONESIA)

Taman Tekno Blok H-9 / 23-25,
Bumi Serpong Damai Sector XI,
Tangerang 15314, Indonesia
TEL:+62-21-2275-6671 FAX:+62-21-2275-6672
E-Mail : info.indonesia@fusheng.com



Distributor/Sales Representative

GW-10902-112A000-E2